

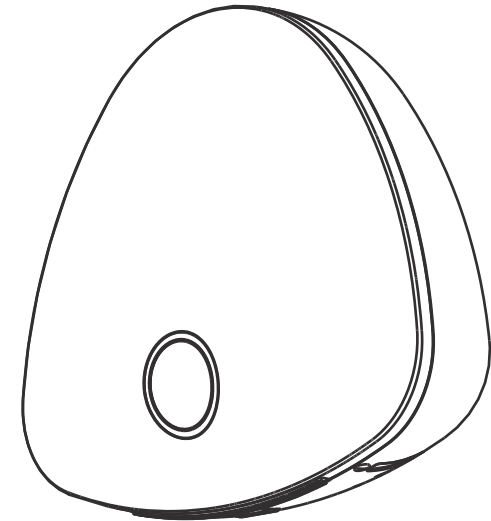
Sorento

SRTHD115, SRTHD116-BL

Smart Sensor Series

Wall Mounted High Speed Hand Dryer

Operation Instruction



Features:

- 1,It is equipped with automatic infrared ray induction system,very easy to use,reducing waste, and no touching clean hands which effectively to avoiding pathogen cross infection and re-contamination.
- 2,It has outstanding performance with most advantage chip control technology and infrared sensor.
- 3,It has unified high speed motor with RPM of 30000, driers the hands with 10-15 seconds.
- 4,This series product is all with over current protection, which effectively eliminates accidents.
- 5,It only needs expansion pipe and screw hook when install-ation, then hang the machine, cut off the power when maintenance.It is suitable for all departments in hospitals school, food and pharmaceutical manufacturers, airports, office buildings, hotels, government agencies and research institutions and other places.

Note before installation:

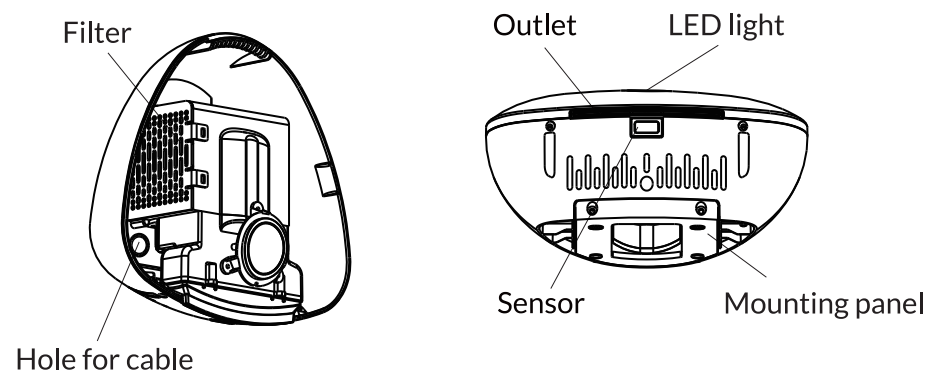
Warning

- 1,Do not fix it in the place with water or water vapor in surface, not install in the bathroom which with heavy moisture, in order to avoid electric shock.
- 2,You must commission professional electrician to install power lines, or else it has electric shock hazard.
- 3,You must cut off power before operation and ensure the protection no power.
- 4,Please use power:AC220V-250V ,50/60Hz.
- 5,Requests to install leakage circuit breakers or protection against fire hazards
- 6,Do not decompose, repair or any alteration of this machine without authorization, otherwise there is a risk of electric shock, fire and other accidents.

Attention

- 1,To ensure that no other things in the outlet around 400mm.Meanwhile.do not install it above the stainless steel or artificial marble such shining surface location, otherwise prone to misoperation.
- 2,The body should be firmly fixed to the smooth wall to avoid injuries caused by the decline of product or product damage.
- 3,Do not install the products in such place with corrosive or flammable gases or objects, it may cause fire or product failure and malfunction
- 4,Do not install the products in such environment with multi dust or in high temperature, it may cause product damage.

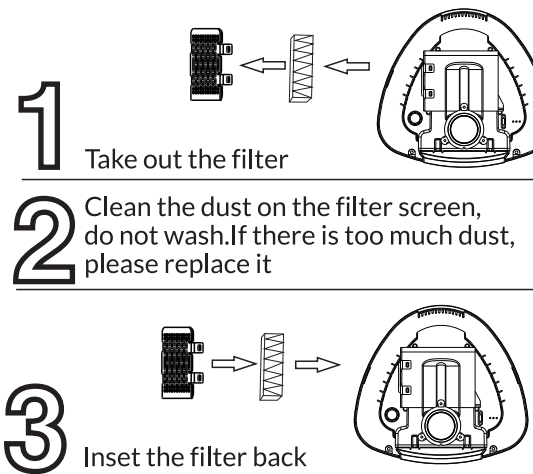
Components Name:



Technical parameters:

Rated Voltage	AC220V~250V	Waterproof Grade	IPX1
Rated Frequency	50Hz	Sensing Distance	12±3CM
Rated Power	950W	Wind Speed	95m/s
Motor Power	400W	Drying Time	10-15s
Ambient Temperature	0-40℃	Way of Heating	PTC

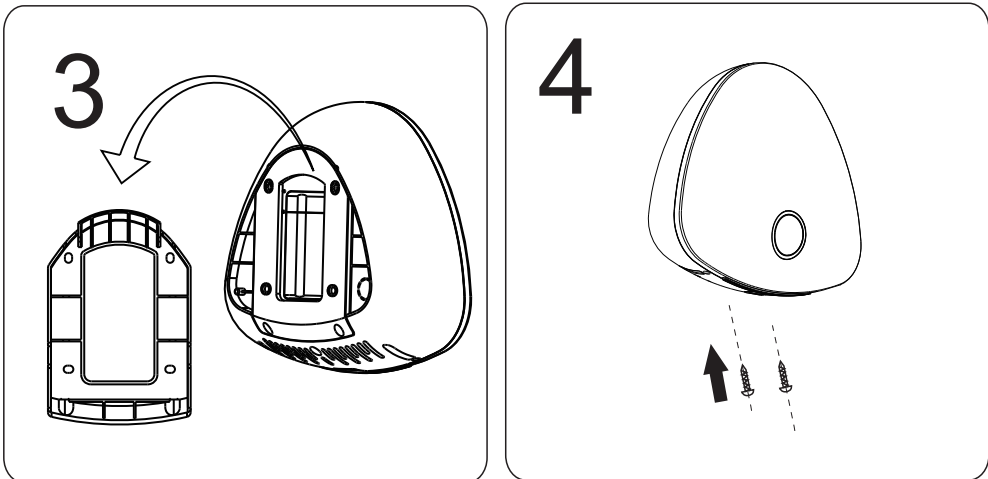
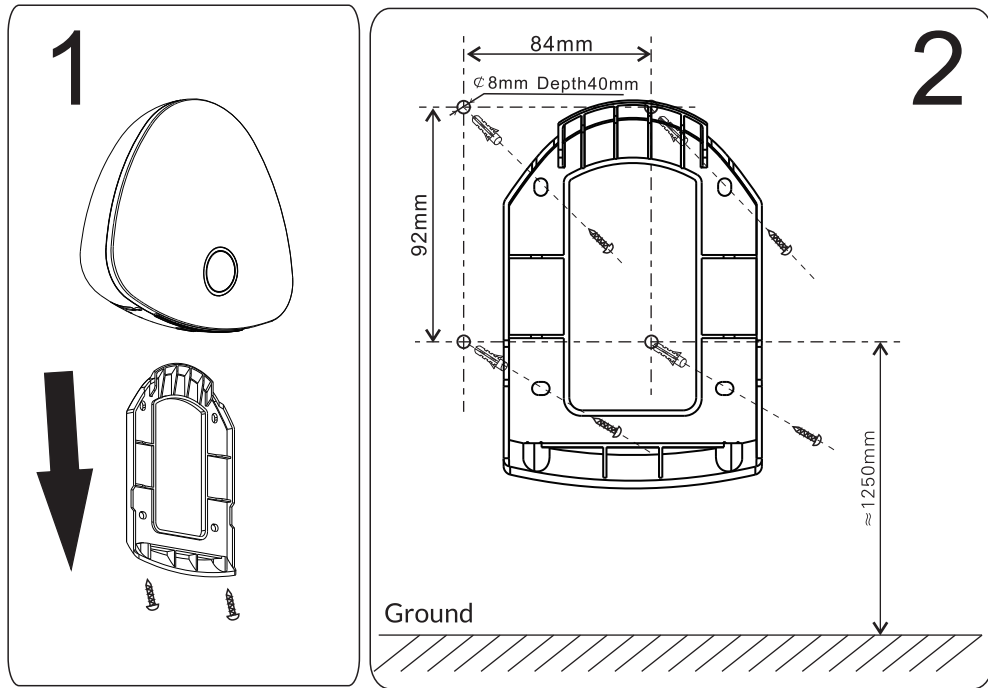
Cleaning of foilter cartridge:



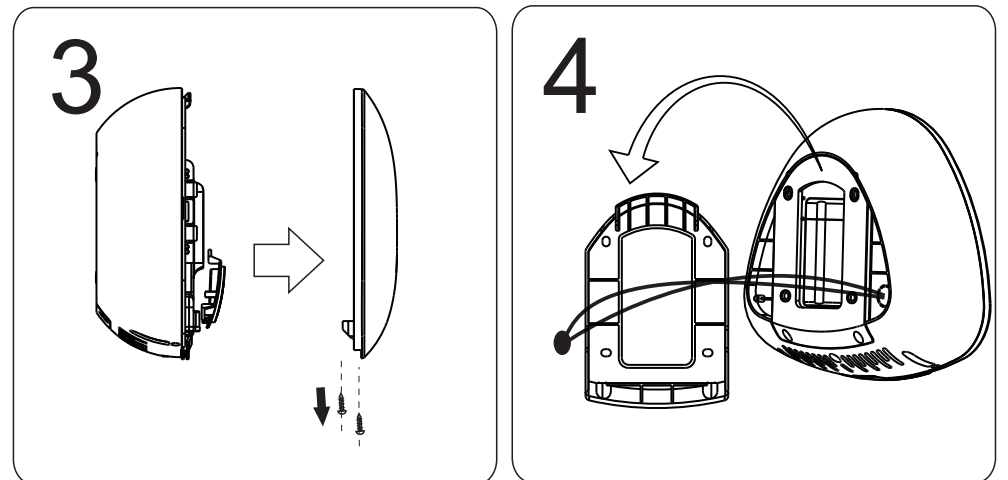
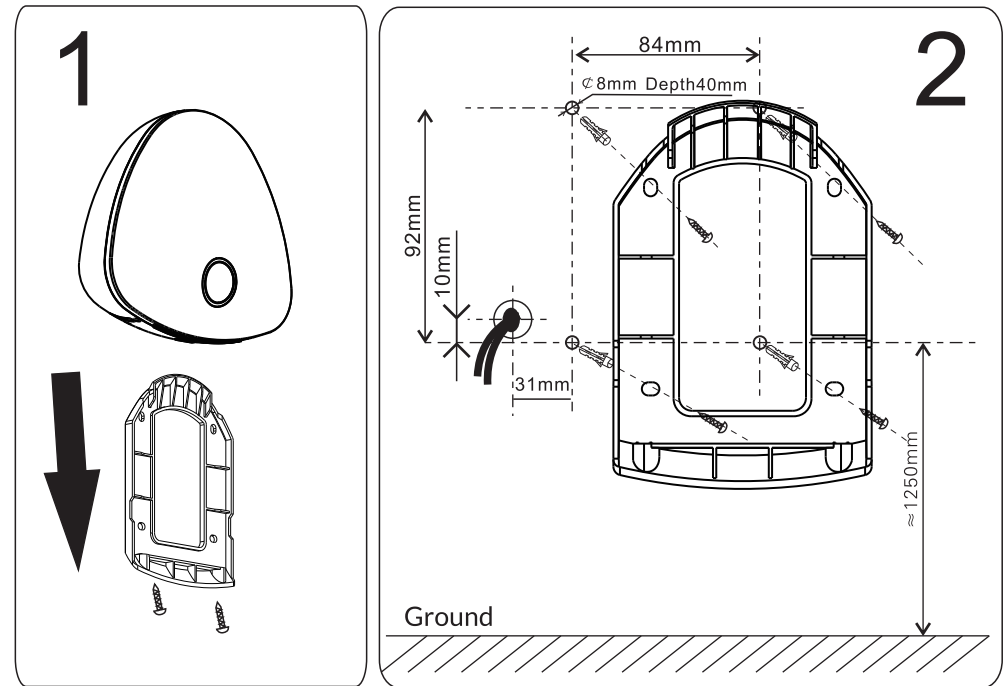
Attention

Attention: If the wind becomes weaker, please clean the filter screen in time. Generally, it needs to be cleaned one or two times. Water is not allowed.

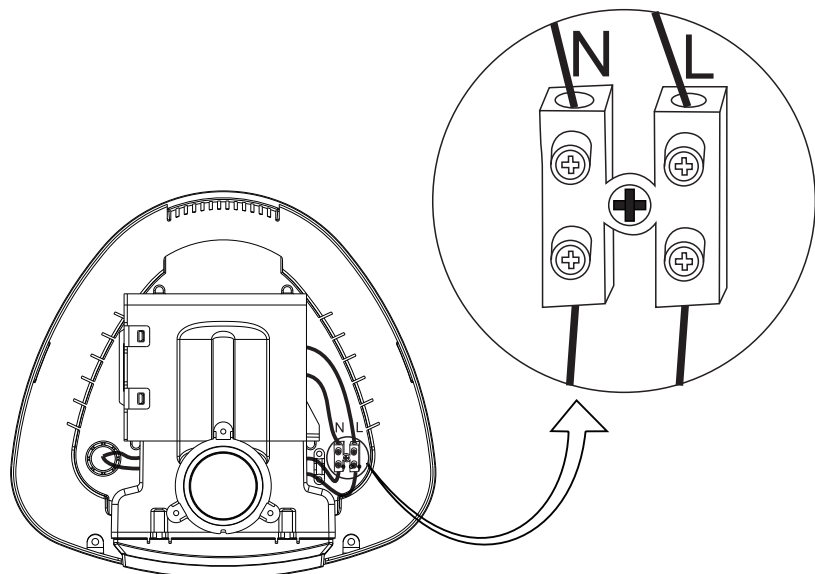
Method of installation (surface mounted)



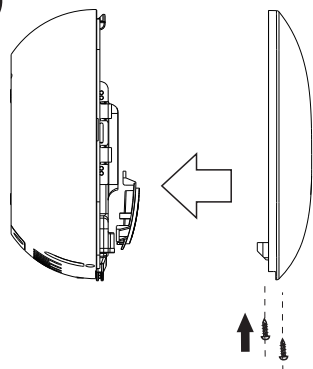
Method of installation (Flush mounted)



5



6



7



- 1, Please cut off the power and clean the shell with natural detergent when it is dirty. The acid and alkaline bathroom detergent and BEN, lacquer thinner, abrasive etc are forbidden. Besides, do not use nylon brush such friction tool clean it avoiding be scratched;
- 2, When cleaning the shell prevent the water droplets into the machine, so as to avoid electric shock or short circuit;
- 3, It's better to cut off the power when off duty, to extend the service life.
- 4, If the power software cord is damaged, it should be replaced with specialized software or buy components from factories or dedicated maintenance;
- 5, if the machine breaks down, cut off the power quickly and stop work, please commission the professional to repair it;
- 6, If long time no use of this machine, please cut off the power, and store it in clean and dry indoors with sealed after cleaning.

- 1, The product warranty period is one year.
- 2, The service within warranty period for products, which came into effect from the date of buying the machine.
- 3, Within one year after purchasing, consumers find the machine failure caused by the product itself reason, then they can go to the purchasing place to maintenance and replace the machine for free with original invoices and completed and the quality assurance card stamped by dealers.
- 4, The following are not in the scope of free maintenance:
 - ◆ Improper use and the fault caused by demolition, alteration and repair by technical persons without our company authorization.
 - ◆ Fires, earthquakes, thunder and other natural disasters cause faults, and abnormal voltage causes the faults.
 - ◆ The faults caused by non matching power.
 - ◆ The faults caused by long time operation in bad working condition.
 - ◆ Not quality assurance card or the cards is flit not explicitly or correctly.
- 5, Over warranty period or it is not free maintained products, while our company remains committed to serving